

**ALL KERALA BHAVAN'S**  
**SCHOLARSHIP EXAMINATION 2019-20**

STD: IX

Duration : 2 hrs  
Max. Marks: 100

**GENERAL INSTRUCTIONS**

**Read the instructions carefully before answering**

1. Please fill up your Roll No. and class in the box provided on the answer sheet.
2. This question booklet contains 50 questions and 5 Tie Breaker questions. All questions including Tie Breaker Questions are mandatory. Tie Breaker questions would be evaluated only in case of a Tie.
3. Each question carries 2 marks.
4. Each question has 4 answer choices a,b,c,d.
5. For each question, select the best/correct option and darken the bubble completely against the corresponding question in the answer sheet provided.
6. Use blue/black ball point pen to darken the bubble.
7. Darken only one bubble against each question.
8. There will be no negative marking.

**BVM ELAMAKKARA**

## STD IX

Marks: 100 Marks

Time: 2 hours

Choose the Correct answer from the options given.

- In the poem 'The Road Not Taken', the fork in the road stands for \_\_\_\_\_.  
a) Wishes b) Ambitions c) Dreams d) Choices
- I felt like a fish out of water among all those business tycoons.  
a) troubled b) puzzled c) uncomfortable d) inferior
- Death lays his icy hands on kings – Identify the poetic device used.  
a) Personification b) Metaphor c) Simile d) Oxymoron
- Choose the correctly spelt word.  
a) Lukaemia b) Leucaemia c) Leukaemia d) Leucemia

- Change the voice.

Some people prefer black tea for keeping themselves fit.

- Some people are preferred black tea for keeping themselves fit.
  - Black tea are preferred by some people for keeping themselves fit.
  - Some people preferred black tea for keeping themselves fit.
  - Black tea is preferred by some people for keeping themselves fit.
- Fill in the blank with the appropriate option.  
They threatened to kill him unless he \_\_\_\_\_ as they asked.  
a) do b) did c) has done d) had done

- Choose the correct option.

Roshin is the \_\_\_\_\_ of my uncle's five sons.

- oldest b) eldest c) bigger d) older

- The value of  $\sqrt[3]{216} - \sqrt[3]{125}$  is

- 1 b) -1 c) 0 d) 2

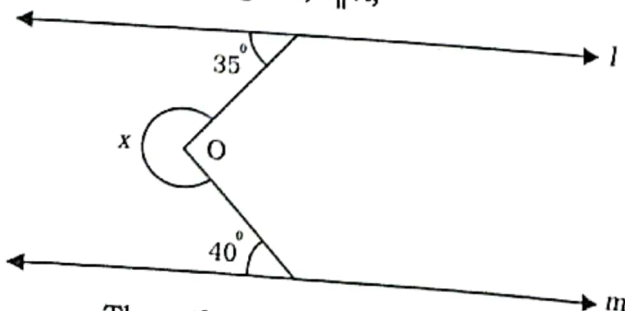
- Two complementary angles are in the ratio 1:5, then the difference between the angles is,

- $120^\circ$  b)  $15^\circ$  c)  $75^\circ$  d)  $60^\circ$

- For what value of m, is  $x^3 - 2mx^2 + 16$  divisible by  $x - 2$ ?

- 3 b) 1 c) 3 d) -1

- In the figure,  $l \parallel n$ ,



Then the value of x is,

- $105^\circ$  b)  $285^\circ$  c)  $185^\circ$  d)  $115^\circ$

BVM ELAMAKKARA

12. If  $a = 2 + \sqrt{3}$  then  $a - \frac{1}{a}$  equals  
 a)  $2\sqrt{3}$     b) 4    c) 0    d) -4
13. The perpendicular distance of the point P (2,6) from the x-axis is  
 a) 8    b) 6    c) 4    d) 2
14. In a rhombus ABCD, if  $\angle A = 2x + 15^\circ$  and  $\angle C = 3x - 25^\circ$ , then the value of x is,  
 a) 40    b) 10    c) 90    d) 50
15.  $AB = QR$ ,  $BC = PR$  and  $CA = PQ$ , then  
 a)  $\triangle ABC \cong \triangle PQR$     b)  $\triangle CBA \cong \triangle PQR$     c)  $\triangle BAC \cong \triangle RPQ$     d)  $\triangle PQR \cong \triangle BCA$
16. Degree of the polynomial  $(x-2)(x^3-2x^2+3) - x^4$  is  
 a) 1    b) 2    c) 3    d) 4
17. The physical state of water at  $25^\circ\text{C}$  is  
 a) solid    b) liquid    c) gas    d) None of these
18. Ammonium Chloride can be separated from Sodium Chloride by  
 a) Evaporation    b) Centrifugation    c) Chromatography    d) Sublimation
19. Convert  $373^\circ\text{C}$  to Kelvin scale  
 a) 646K    b) 645K    c) 643K    d) 640K
20. The epithelial tissue that lines the lung alveoli is  
 a) Simple squamous    b) Stratified    c) Cuboidal    d) Columnar
21. Cell organelle that acts as supporting skeletal frame work of the cell is  
 a) Golgi apparatus    b) Mitochondria    c) Nucleus    d) Endoplasmic reticulum
22. Phanerogamae includes  
 a) Thallophyta and angiosperms    b) Thallophyta and bryophyta  
 c) Bryophyta and pteridophyta    d) Angiosperms and gymnosperms
23. The slope of a velocity-time graph gives  
 a) speed    b) velocity    c) displacement    d) acceleration
24. The gravitational force between two objects is 'F'. If masses of both objects are halved without changing distance between them, then the gravitational force would become  
 a)  $F/4$     b)  $F/2$     c) F    d) 2F
25. Inertia of a body has direct dependence on  
 a) velocity    b) mass    c) area    d) volume
26. The idea of parliamentary system incorporated in the Indian Constitution was borrowed from the constitution of  
 a) The U.S.A.    b) Russia    c) The U.K.    d) Japan
27. Which of the following is not a philosopher?  
 a) Rousseau    b) Robespierre    c) John Locke    d) Montesquieu



28. Muslim reformers within the Russian empire were called  
a) Jacobin b) Khalifa c) Jadidist d) Muza hidins
29. Production for self consumption is termed as  
a) Market activities b) Non-market activities c) Economic activities  
d) Primary activities
30. The wet and swampy belt of the northern region is known locally as  
a) Bhabar b) Terai c) Doab d) Bhangas
31. Alakananda and Bhagirati converge to be called as Ganga at  
a) Haridwar b) Kedarnath c) Badrinath d) Devaprayag
32. Who proposed April thesis?  
a) Vladimir Lenin b) Cheka c) Stalin d) Jadidists
33. Name the significant step taken by the government to provide elementary education to all children in the age group of 6 -14 years.  
a) Sarvashiksha Abhiyan b) Mid day meal scheme  
c) Adult Education Programme d) Scholarship
34. Who appoints the chief election commissioner in India?  
a) The Chief Justice of India b) The Prime Minister of India  
c) The President of India d) The people of India
35. Hornbill Festival is the major festival of  
a) Odisha b) Punjab c) Rajasthan d) Nagaland
36. Coorg Arabica, Chickmangalur Arabica, Araka Valley Arabica are varieties of  
a) Tea b) Arecanut c) Coffee d) Cardamom
37. It is believed that there are \_\_\_\_\_ ways to drink a Starbucks beverage.  
a) 10,000 b) 99 c) 4000 d) 80,000
38. India's very own Global Positioning System (GPS) which was set to hit the market for public use in early 2018 is known as the IRNSS, its operational name is  
a) NASIK b) NASIC c) NAVIC d) NAVIK
39. Which article of the Indian Constitution that gave special status to Jammu and Kashmir was scrapped on August 5, 2019?  
a) Article 370 b) Article 378 c) Article 369 d) Article 204
40. There are three boxes. Two are empty. One box has gold. Each box A,B & C has a message pasted on it. Two messages are false and one of the messages is true. The message on the first box says 'I am empty'. The message on the second box says 'There is no gold inside me'. The message on the third box says 'Gold is inside the second box'. Which box has gold ?  
a) Box A b) Box B c) Box C d) Can't be inferred
41. Complete the letter pattern appropriately SCD, TEF, UGH \_\_\_\_\_ WKL  
a) CMN b) UJI c) VIJ d) IJT

42. If in a certain code language '3a, 2b,7c' means 'Truth is Eternal', '7c,9a, 8b, 3a' means 'Enmity is not Eternal' and '9a, 4d, 2d, 8b' means 'Truth does not perish'. Which of the following means 'enmity' in that language.  
 a) 3a      b) 7c      c) 8b      d) 9a
43. Pointing to a person, a man said to a woman "His mother is the only daughter of your father". How was the woman related to the person?  
 a) Aunt      b) Mother      c) Wife      d) Daughter
44. Find the missing number in the series. 4, 18, ?, 150, 180, 294, 448  
 a) 48      b) 50      c) 58      d) 60

**Read the passage and attempt the questions given**

- I** Natalia and Robert are in the same gym class. Natalia was the fastest runner in the class. Robert did the most pull-ups. Each student claimed to be the best athlete in the class. David said neither one could be the best because both students are short and tall people are usually better athletes. After a lot of talking, the students agreed to let their friend Simon decide who is the best.
45. Simon knew Natalia won second place in the pull-up contest, and Robert was fourth in running. Robert is taller than Natalia. Why did Simon "Most Likely" choose Natalia as best athlete?  
 a) Overall, Natalia did better than Robert  
 b) Simon likes Natalia better than Robert  
 c) Robert is too slow to be the best athlete  
 d) Overall, Simon thinks short people are better athletes
46. What are Natalia and Robert disagreeing about?  
 a) Is it better to be a tall or short athlete?  
 b) Who should judge the best athlete?  
 c) Can girls be better athlete than boys?  
 d) What makes someone the best Athlet?
47. What is least likely to be true in this story?  
 a) Natalia and Robert think short people are usually good athletes.  
 b) Natalia and Robert think being the best athlete is important.  
 c) Natalia and Robert think Simon will make a fair decision.  
 d) Natalia and Robert think David is not a good judge of athletes.
- II** Nathan and Sean were in the same math class. Their teacher returned the tests she had graded. When they saw their grades, Nathan smiled, but Sean looked unhappy. The teacher said that many students had received low grades and she hoped they would study more for the next test.
48. Based on the story what is 'MOST LIKELY' to be true?  
 a) Nathan received a better grade on the test Sean did.  
 b) Nathan usually receives better grades than Sean in math.  
 c) Sean had expected to do better on the test than he did.  
 d) Sean did not do as well on the test as he would have liked.

BVM ELAMAKKARA

- 49 What does the teacher believe?
- Studying helps students do well on mathematics tests.
  - Many students did not study for the test.
  - None of the students studied enough for the test.
  - Students cannot do well in math without studying.
- 50 What should you NOT rely on when making a judgement call?
- Intuition
  - common sense
  - Gossip
  - Past experiences

**Tie breaker**

- $\sqrt[4]{(81)^{-2}}$  equals
  - $\frac{1}{3}$
  - $\frac{1}{81}$
  - $\frac{1}{9}$
  - 9
- An object of mass 2 kg is sliding with a constant velocity of  $4 \text{ ms}^{-1}$  on a frictionless horizontal table. The force required to keep the object moving with the same velocity is
  - 32N
  - 0N
  - 2N
  - 8N
- Who said, "Plant more wheat, Wheat will win the war".
  - President Thomas Jefferson
  - President Wilson
  - President Bush
  - President Truman
- "Alohomora" the charm from Harry Potter movies is used for
  - Summoning objects
  - Shooting sparks into the city
  - Unlocking doors and other objects
  - for healing wound caused by poison
- There are five sisters in the room.
 

Ann is reading a book

Margret is cooking

Kate is playing chess with her sister

Marie is doing laundry

What is the fifth sister doing?

  - Sleeping
  - Cooking
  - Doing laundry
  - Playing chess

**Rough Work**